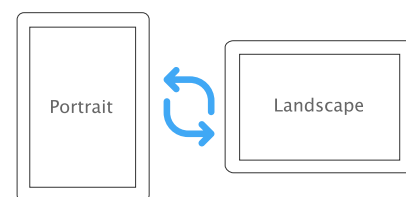


## Stainless Steel Touch Screen Features



### Industrial Design - Built For Touch

- Rugged stainless-steel chassis with a smart, clean appearance
- Flush front panel for easy cleaning and care, avoiding intrusion of moisture, dust, oil, grease and other contamination
- Manufactured specifically as a touch screen with toughened glass and rugged design
- Front sealed for water and dust resistance enabling easy cleaning and care

### High Image Quality

- 1920 x 1080 Full HD resolution with crisp, clear image representation and pure glass front
- Balanced edge-to-display distance for perfect appearance in portrait or landscape

### True Multi-Touch Technology

- Fast and reliable touch performance using the latest 10-point PCAP multi-touch technology
- Extremely responsive touch and fine touch point accuracy for excellent user experience
- Compatible with Windows multi-touch gestures including pan, pinch & zoom
- Plug and play HID controller with no drivers required for Windows 7, 8.1 and 10
- Some support for macOS 10, Brightsign, Chromebox, AMX TPI-PRO, N2300, some Linux kernels and various media players
- Touch with a finger, stylus and most gloves. No touch point drift

### Commercial Grade

- Designed and built with commercial grade, long-life components for quality, extended 24/7 reliability and a reduced Total Cost of Ownership (TCO)
- 3 years warranty and local Australian support

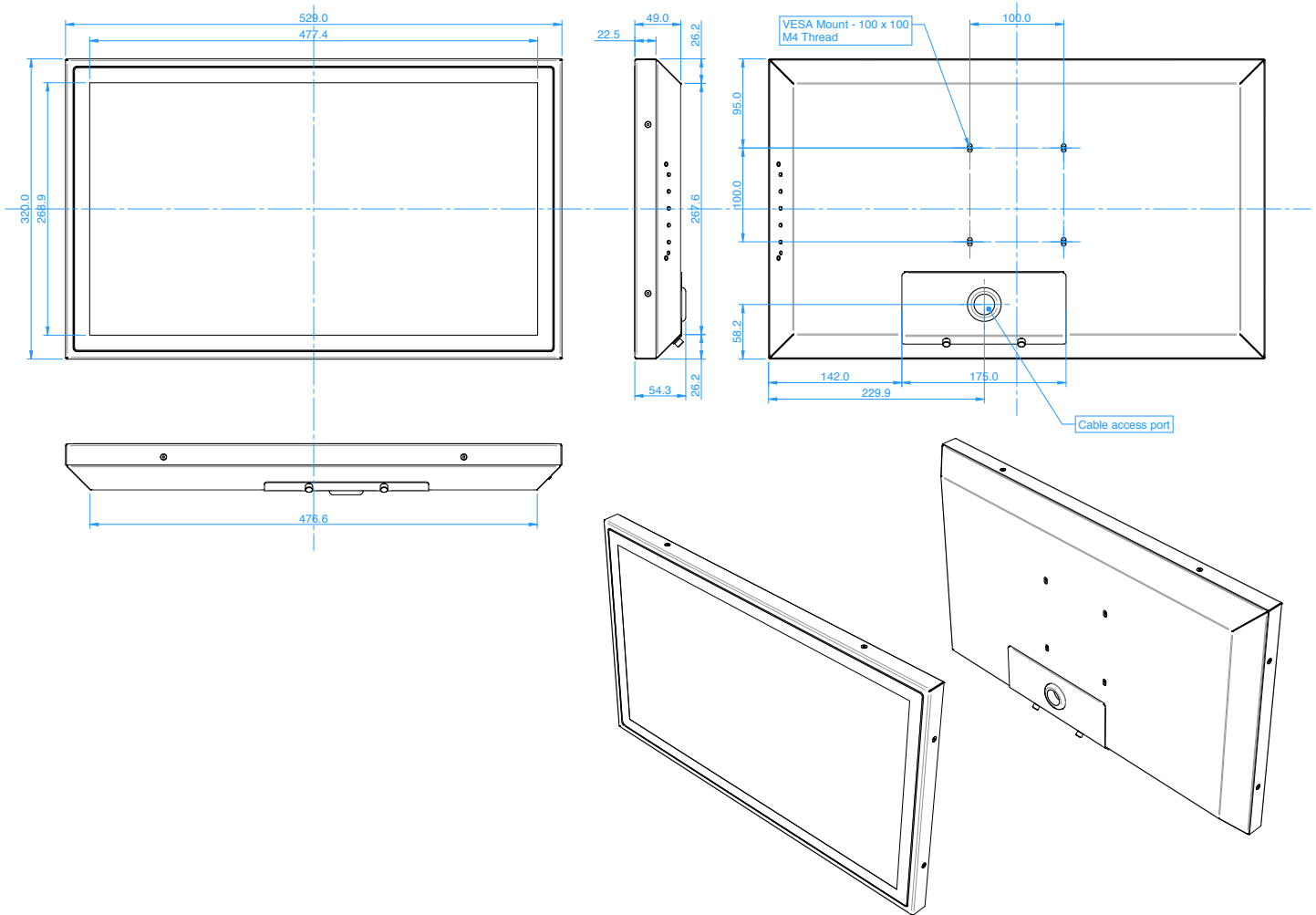
## Contact:

P: 02 9939 6251  
W: [IntouchScreens.com.au](http://IntouchScreens.com.au)  
E: [Sales@intouchscreens.com.au](mailto:Sales@intouchscreens.com.au)

## In Touch Screens

12 / 84 Old Pittwater Road  
Brookvale NSW 2100  
Australia

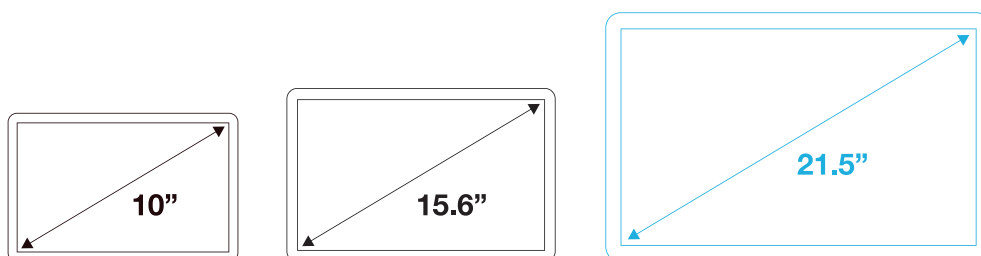




## Technical details

- 1920 x 1080 Full HD resolution
- 21.5" active viewable area
- 16:9 aspect ratio
- 250cd/m2 brightness
- 1,000:1 contrast ratio
- 10-point PCAP multi-touch
- VGA, DVI & HDMI input
- USB touch interface
- 100 x 100mm VESA holes on rear
- Optional desktop stand
- 50,000 hour MTBF
- Energy efficient LED technology
- 15W on - <2W standby
- 3.1kg weight (without stand)
- Compatible with Windows 7, 8.1 & 10

Our interactive stainless steel touch screen range are available in sizes from 10"- 21".



## Contact:

P: 02 9939 6251  
 W: [InTouchScreens.com.au](http://InTouchScreens.com.au)  
 E: [Sales@intouchscreens.com.au](mailto:Sales@intouchscreens.com.au)

## In Touch Screens

12 / 84 Old Pittwater Road  
 Brookvale NSW 2100  
 Australia

