

DATA SHEET

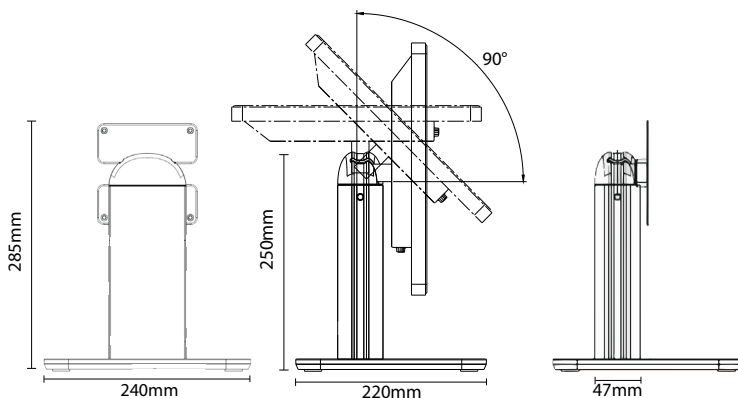
INDTBLACK

Black Desktop Stand

This beautiful looking desk top stand in black powder coat only enhances the look of our touch screens. Easily adjust the angle of the VESA mount to position your touch screen at the optimal angle. Use the clever cable management through the channel of the pole to keep your cables neat and tidy. Use our range of stands for a solid and wobble free experience while touching your screen. The 100 x 100 VESA mount is compatible with our 15.6", 19", and 22" touch screens and this allows you to mount them in portrait or landscape orientation.



Front view with vesa mounting plate



FEATURES

- Model Name: INDT-BLACK
- Supported Screen Size: 15"- 22"
- Supported Models: INDT156, INDT190, INDT215
- Supports Weight: Maximum 7kg
- VESA Hole Pattern: 100mm x 100mm Rear

Contact

P: 1300 557 219
 W: InTouchScreens.com.au
 E: Sales@intouchscreens.com.au

In Touch Screens
 Unit 1, 3 Green Street
 Brookvale NSW 2100
 Australia

