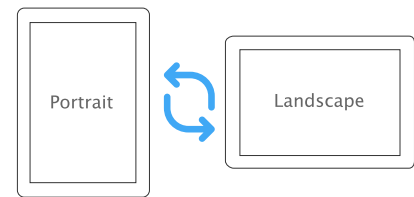


DATA SHEET

INDT190

19" TOUCH SCREEN



The INDT190 19" touch screen displays beautiful, sharp images for a range of applications. With a premium edge-to-edge toughened glass surface your users will enjoy fast and reliable performance using the latest 10-point multi-touch technology.

Built with reliability in mind and suitable for operation 24 hours a day, 7 days a week with a 3 year warranty, they are the ideal solution for an engaging and consistent user experience.

INDUSTRIAL DESIGN BUILT FOR TOUCH

- Beautiful edge-to-edge glass with a silver trim provides a best-in-class appearance
- Manufactured specifically as a touch screen with toughened glass and rugged design
- Front sealed for water and dust resistance enabling easy cleaning and care

HIGH IMAGE QUALITY

- 1280 x 1024 resolution with crisp, clear image representation and pure glass front
- Balanced edge-to-display distance for perfect appearance in portrait or landscape

TRUE MULTI-TOUCH TECHNOLOGY

- Fast and reliable touch performance using the latest 10-point PCAP multi-touch technology
- Extremely responsive touch and fine touch point accuracy for excellent user experience
- Compatible with Windows multi-touch gestures including pan, pinch & zoom
- Plug and play HID controller with no drivers required for Windows 10
- Limited support for macOS 10, Chromebox and some Linux kernels
- Touch with a finger, stylus and most gloves. No touch point drift



LOCALLY SUPPORTED



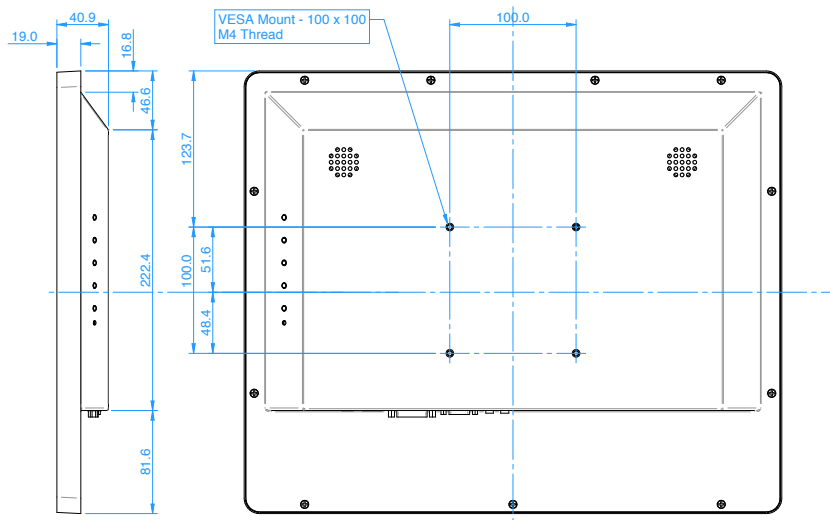
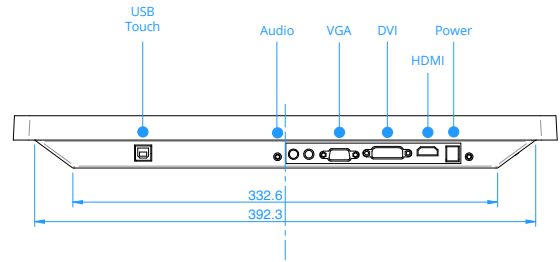
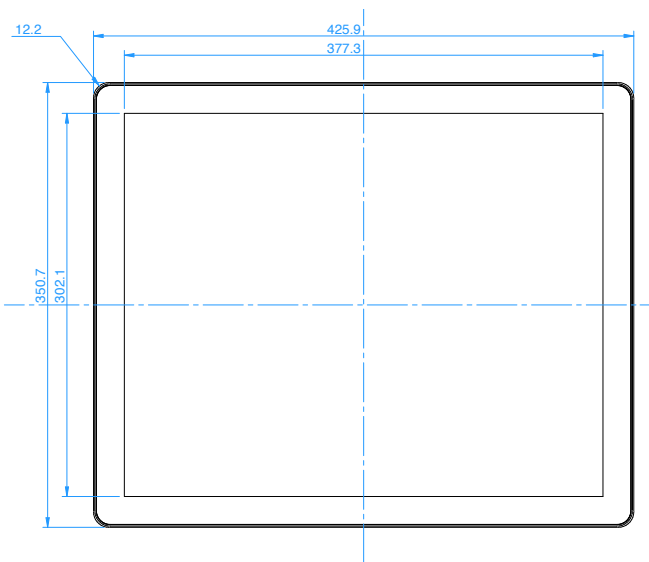
3-YEAR WARRANTY



10 POINT MULTI-TOUCH



EASY SET UP

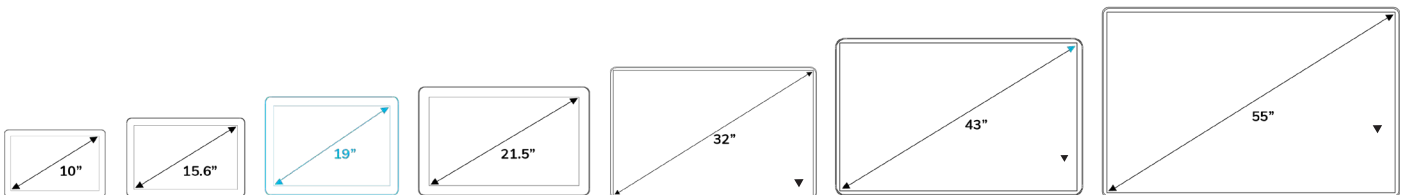


Commercial Grade

- Designed and built with commercial grade, long-life components for quality, extended 24/7 reliability and a reduced Total Cost of Ownership (TCO)
- 3 years warranty and local Australian support

Technical Specifications

- 1280 x 1024 resolution
- 19" active viewable area
- 5:4 aspect ratio
- 250cd/m2 brightness
- 1,000:1 contrast ratio
- 10-point PCAP multi-touch
- VGA, DVI & HDMI input
- USB touch interface
- Built-in stereo speakers
- 100 x 100mm VESA holes on rear
- Optional silver desktop stand
- 50,000 hour MTBF
- Energy efficient LED technology
- 20W on - <2W standby
- 4.85kg weight (without stand)
- Compatible with Windows 10



Our interactive touch screens are available in sizes from 10"- 55" to suit any application and available installation space.

InTouch Screens

Unit 1, 3 Green Street, Brookvale NSW 2100

1300 557 219

InTouchScreens.com.au | Sales@intouchscreens.com.au

INTOUCH