

DATA SHEET

KIO-LITE 190P-WOL

VISITOR MANAGEMENT KIOSK

The InTouch KIO-LITE-190P-WOL is a neat and compact Visitor Management Kiosk perfect for reception areas and small spaces allowing you to track, record and grant access to visitors and contractors. Replacing the traditional 'sign in' book or receptionist sign in, the KIO-LITE-190P-WOL frees up staff and allows visitors to check-in within seconds.

Built to industrial standards, the kiosk's clever modular design incorporates options for a high definition camera with tamper-proof housing, thermal label printer, stereo speakers and QR code + barcode scanner - all of which are compactly and securely integrated. The robust steel constructed stand is finished with a durable powder-coat finish and the touch screen boasts toughened glass that can withstand high-traffic public spaces and the edge-to-edge glass allows for an easy, regular cleaning regime with isopropyl or sterilising wipes.



KIOSK FEATURES

- Australian designed, manufactured and supported
- Neat cable management for a tidy presentation
- Sturdy free-standing design, can be bolted down using the guide holes if desired
- Clever modular design allows addition of multiple peripherals
- Tamper resistant housing to prevent camera, printer, scanner theft
- Photo capturing of Visitors and Contractors as they enter site
- Print a self-adhesive visitor badge with date, time and visitor/host details
- Scan badges to sign-out using the optional QR Code and 2D Barcode Scanner
- 3 Year Warranty

DISPLAY FEATURES

- 19" commercial-grade touch screen in portrait format
- Projected capacitive (PCAP) 10-point multi-touch
- Full HD 1024 x 1280 (5:4 aspect ratio)
- Edge-to-edge glass for easy cleaning with a brushed aluminium trim
- High clarity display with protective toughened glass
- Win 7, 8.1 & 10 compatible, driver free, plug-and-play
- Supports multi-touch gestures including swipe, pinch & zoom



AUSTRALIAN MADE



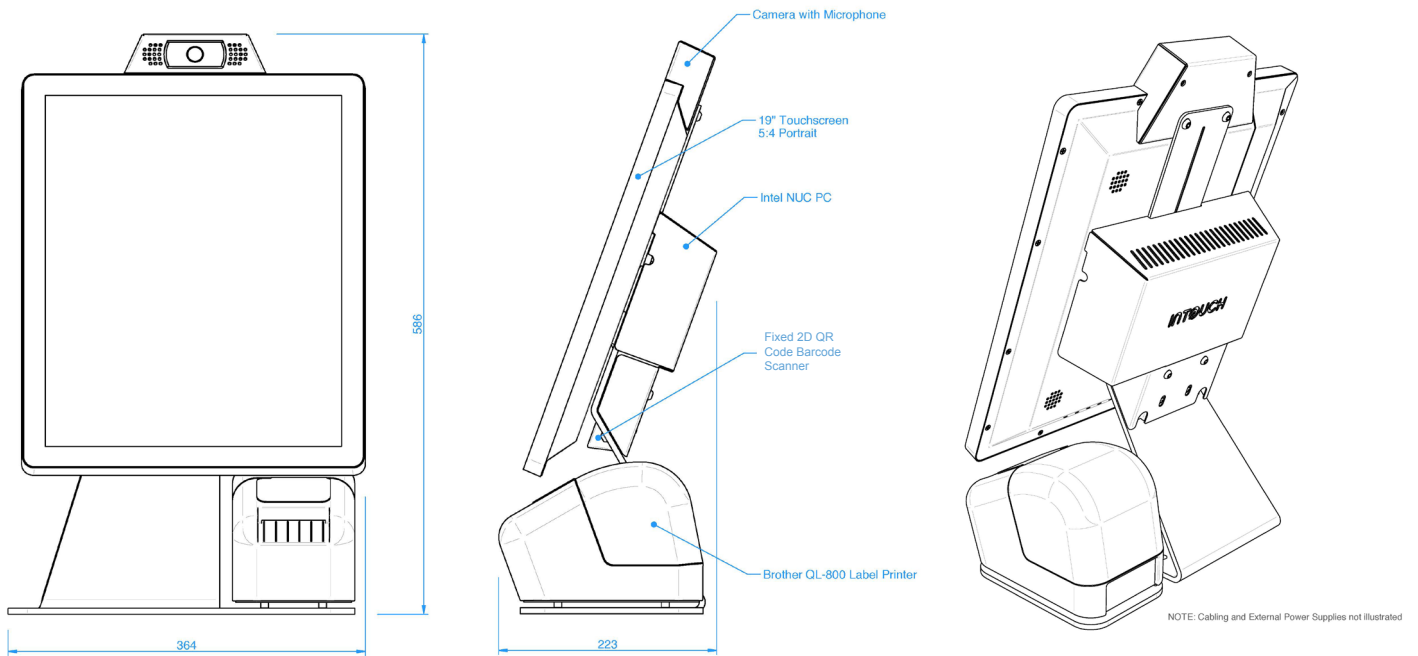
3-YEAR WARRANTY



10 POINT MULTI-TOUCH



EASY SET UP



Kiosk Options

- 2D Barcode scanner
- Kiosk PC (or BYO)
- Label printer
- Integrated camera

Technical Specifications

- 1024 x 1280 Full HD resolution
- 19" active viewable area
- 250cd/m2 brightness
- 1,000:1 contrast ratio
- 5ms response time
- 10-point multi-touch (PCAP)
- 50,000 MTBF Long-life Screen
- Powder-coated steel body
- Toughened glass touch surface
- Multi-touch gesture support
- Internal cable management
- Compatible with Win 7, 8.1 & 10
- PC sold separately



Our interactive KIO-LITE Kiosks are available in sizes from 19" - 22" to suit any application and available installation space.

* Used in conjunction with Who's On Location software

InTouch Screens

Unit 1, 3 Green Street, Brookvale NSW 2100

1300 557 219

InTouchScreens.com.au | Sales@intouchscreens.com.au

INTOUCH