

DATA SHEET

KIO-LITE 215P

SELF-SERVICE KIOSK

The KIO-LITE-215P 21.5" kiosk is an elegant solution that offers simplified maintenance with numerous upgrade capabilities. Depending on your application the KIO-LITE-215P has the ability to incorporate various peripherals that will give your customers the ability to order and pay, scan a barcode, swipe a card, enter information or print a receipt.

Built to industrial standards, the kiosk's clever modular design can incorporate options for a high definition camera with tamper-proof housing, thermal label printer, barcode and QR code scanner and EFTPOS terminal mounting bracket – all of which are compactly and securely integrated.



The robust steel constructed stand is finished with a durable powder-coat finish and the touch screen boasts toughened glass that can withstand high-traffic public spaces and the edge-to-edge glass allows for an easy, regular cleaning regime with isopropyl or sterilising wipes.

KIOSK FEATURES

- Australian designed, manufactured and supported
- Neat cable management for a tidy presentation
- Sturdy free-standing design
- Clever modular design allows addition of multiple peripherals
- 3 Year Warranty

DISPLAY FEATURES

- 21.5" commercial-grade touch screen in portrait format
- Projected capacitive (PCAP) 10-point multi-touch
- Full HD 1080 x 1920 (9:16 aspect ratio)
- Edge-to-edge premium toughened glass for easy cleaning
- High clarity display
- Windows 10 compatible, driver free, plug-and-play
- Supports multi-touch gestures including swipe, pinch & zoom



AUSTRALIAN MADE



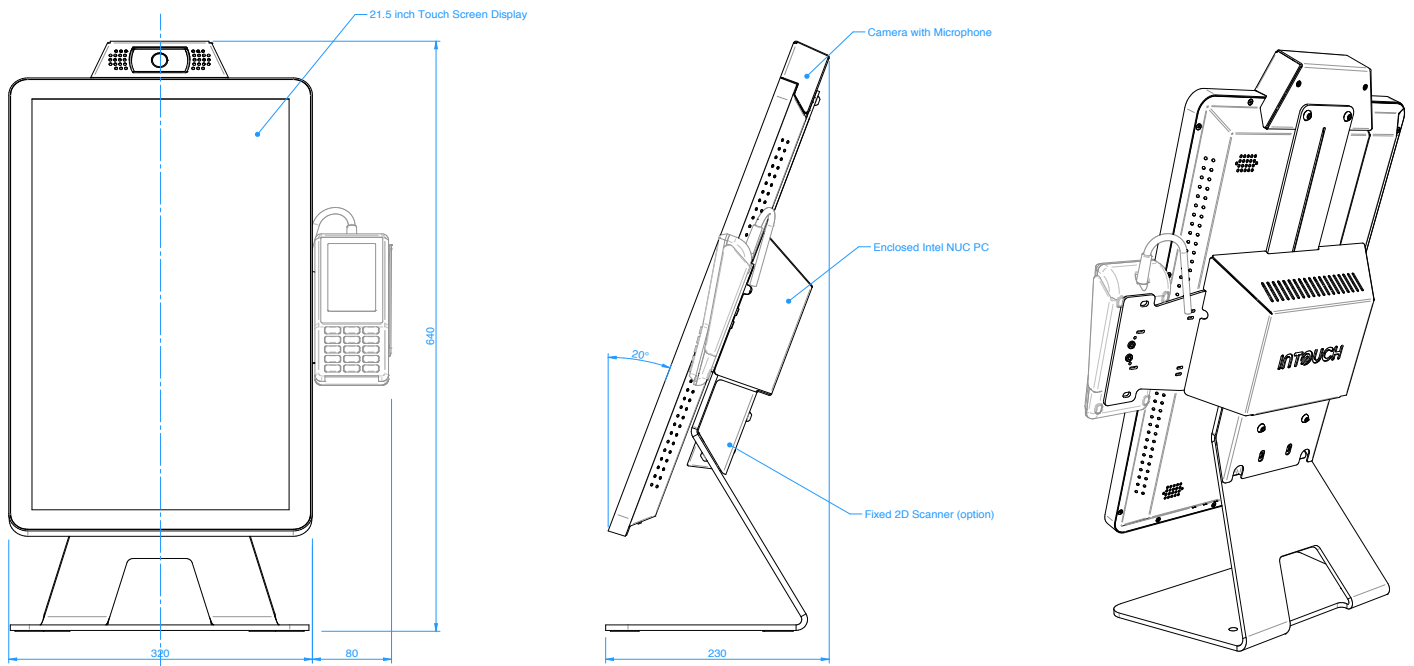
3-YEAR WARRANTY



10 POINT MULTI-TOUCH



EASY SET UP



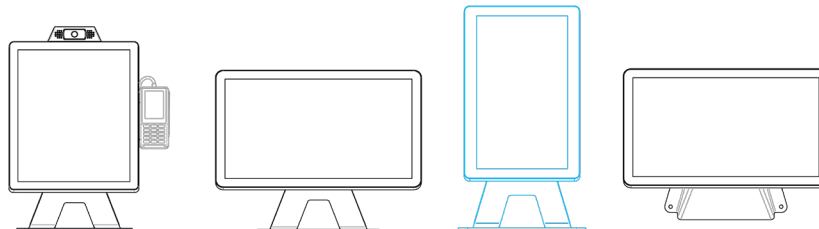
NOTE: Cabling & external power supplies not illustrated. Model illustrated includes peripherals.

Kiosk Options

- 2D barcode + QR code scanner
- Card reader
- Kiosk PC (or BYO)
- EFTPOS terminal mount
- Receipt printer
- Integrated camera

Technical Specifications

- 1920 x 1080 Full HD resolution
- 21.5" active viewable area
- 250cd/m2 brightness
- 1,000:1 contrast ratio
- 5ms response time
- 10-point multi-touch (PCAP)
- 50,000 MTBF Long-life Screen
- Powder-coated steel body
- Toughened glass touch surface
- Multi-touch gesture support
- Internal cable management
- Compatible with Windows 10
- PC sold separately
- Weight - 14kg (excluding peripherals)



Our interactive KIO-LITE Kiosks are available in sizes from 19" - 22" to suit any application and available installation space.

InTouch Screens

Unit 1, 3 Green Street, Brookvale NSW 2100

1300 557 219

InTouchScreens.com.au | Sales@intouchscreens.com.au

INTOUCH