

DATA SHEET

## KIO215L KIOSK

The KIO215L has been designed as a self-service information kiosk that will assist your customers, staff and visitors directly in an engaging and consistent manner.

With a depth of just 28cm and tapered design, the KIO215L takes up minimal floor space and the seamless front fascia is ideal for your branding requirements. The carefully considered angle of the 21.5" touch screen offers Full HD 1920 x 1080 resolution (16:9) and delivers rich images that engage your visitors in truly immersive experiences.

With 10-point PCAP multi-touch technology you can take advantage of multi-touch gestures like swipe, pinch & zoom. You may of course have other applications in mind and will be pleased to know that we can add a variety of components to configure the KIO215L to your unique requirements.

### DISPLAY FEATURES

- 21.5" commercial-grade touch screen in landscape format
- Projected capacitive (PCAP) 10-point multi-touch
- 1920 x 1080 full HD resolution
- Edge-to-edge glass on touch screen for easy cleaning
- High clarity display with protective toughened glass
- Windows 10 compatible, driver free, plug-and-play
- Supports multi-touch gestures including swipe, pinch & zoom

### KIOSK FEATURES

- Australian designed, manufactured & supported
- Robust steel construction, durable powder-coated finish
- Free-standing design with option to bolt down base plate
- Power & data feed from wall or floor through base plate
- Cooled with a multi-speed fan and louvers
- Key lockable access door, tamper resistant design
- Internal PC shelf (PC sold separately or supply your own)
- 3 year RTB warranty included



AUSTRALIAN MADE



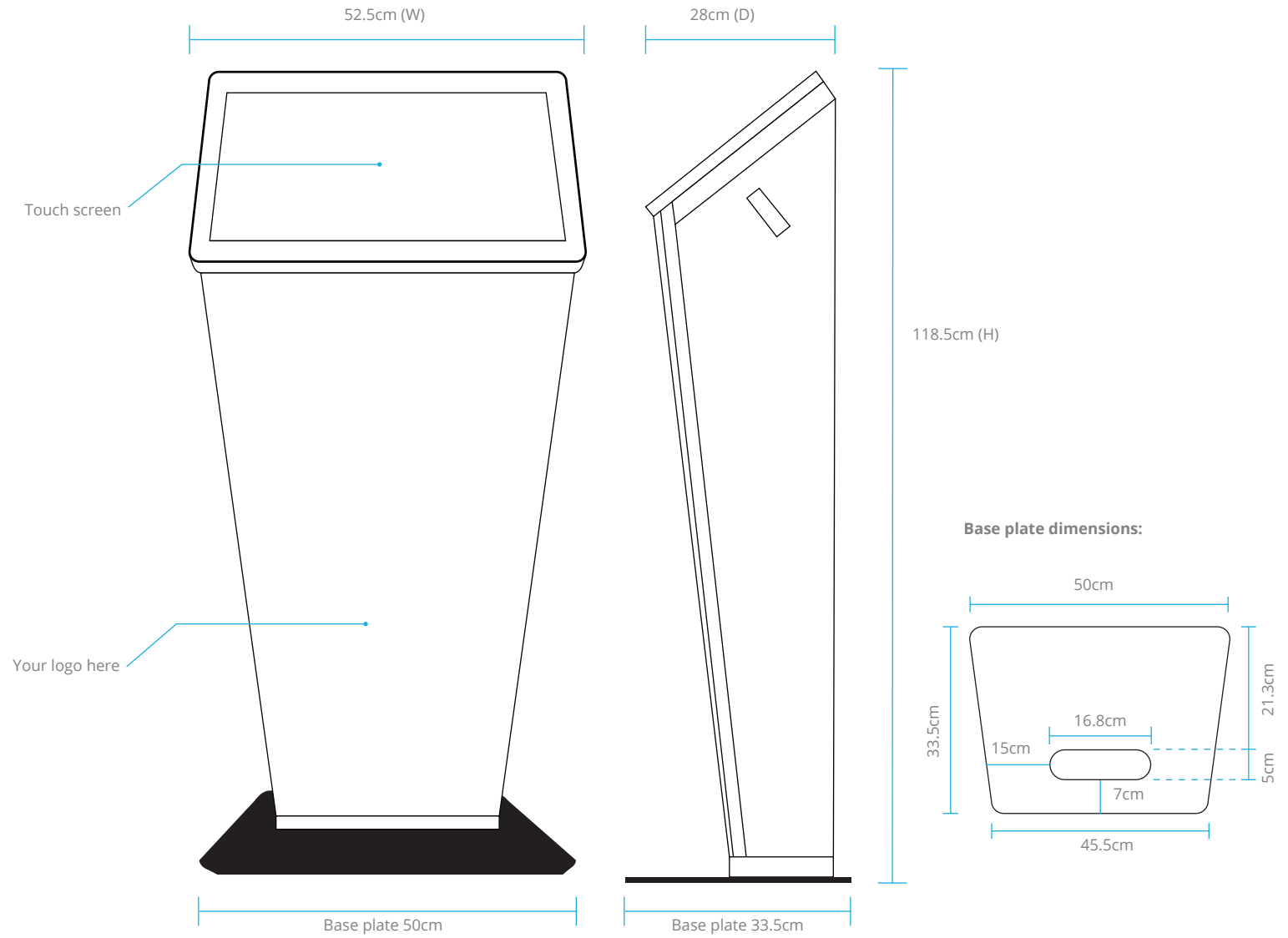
3-YEAR WARRANTY



10 POINT MULTI-TOUCH



EASY SET UP

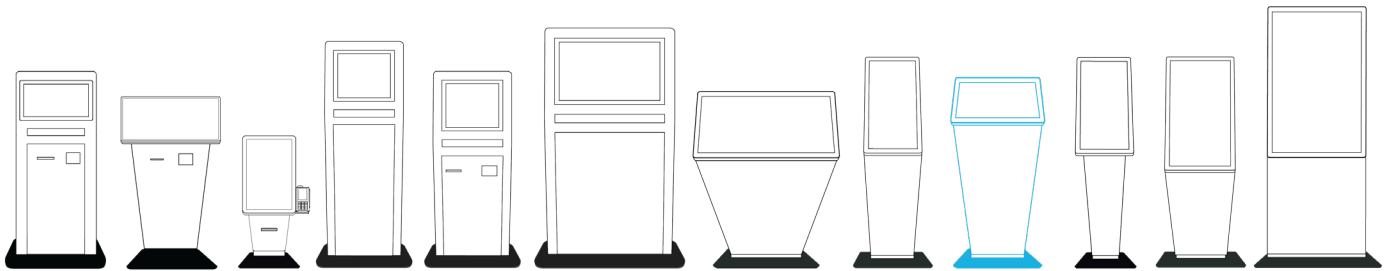


## Kiosk Options

- Custom logo & branding
- Magnetic card reader
- RFID reader
- Industrial thermal receipt printer
- 2D barcode & QR code scanner
- EFTPOS payment terminal bracket
- Choice of powdercoating in over 120 colours

## Technical Specifications

- 1920 x 1080 HD resolution
- 21.5" active viewable area
- 1,000:1 contrast ratio
- 5ms response time
- 50,000 long-life MTBF
- 10-point multi-touch (PCAP)
- USB touch interface
- Powder-coated steel body
- Toughened glass touch surface
- Secure lockable access door
- Built-in stereo speakers
- Compatible with Windows 10
- PC sold separately



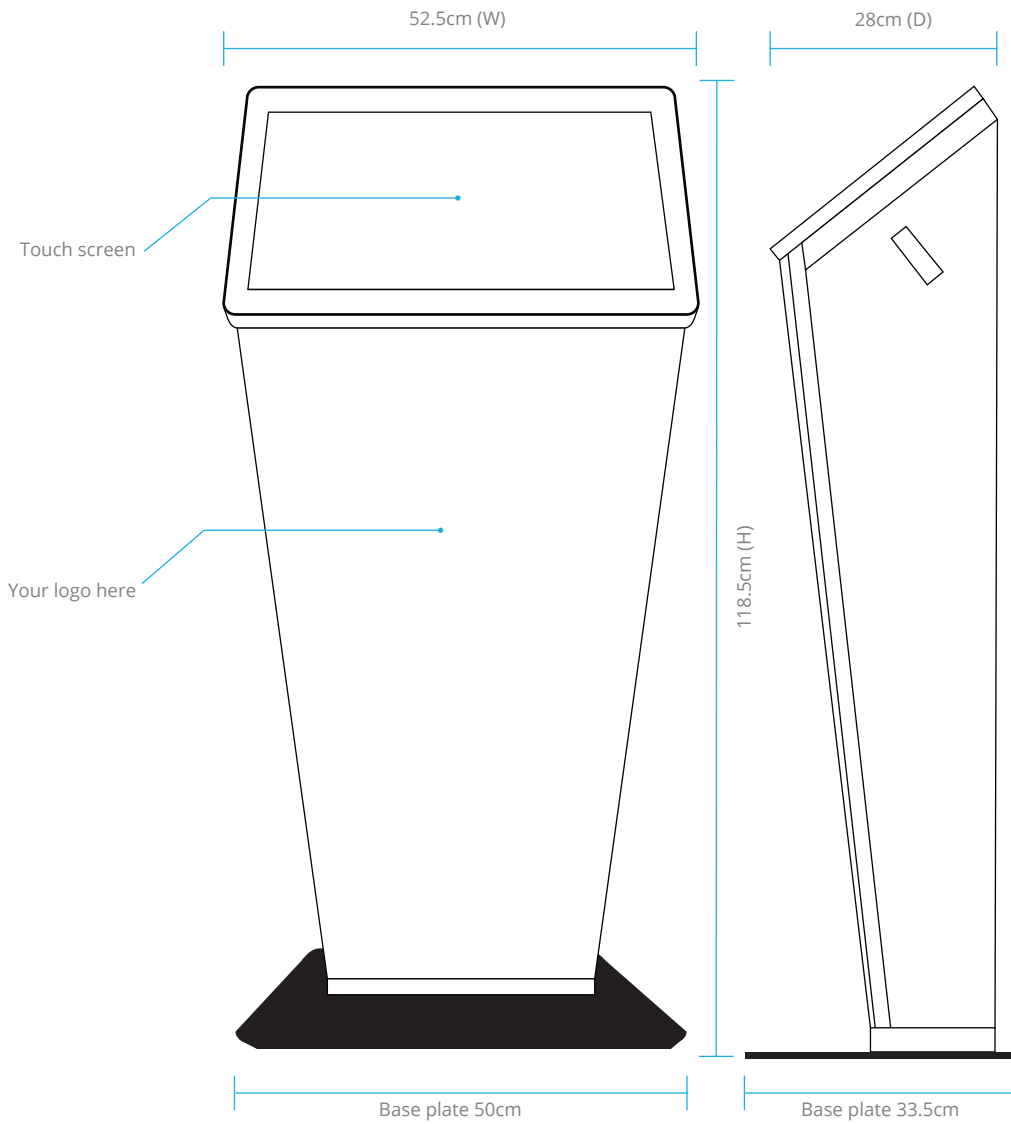
Our interactive kiosks are available in sizes from 19" - 42" to suit any application and available installation space.

## InTouch Screens

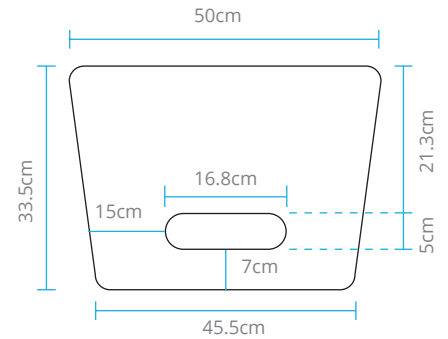
Unit 1, 3 Green Street, Brookvale NSW 2100  
1300 557 219

[InTouchScreens.com.au](http://InTouchScreens.com.au) | [Sales@intouchscreens.com.au](mailto:Sales@intouchscreens.com.au)





#### Base plate dimensions:

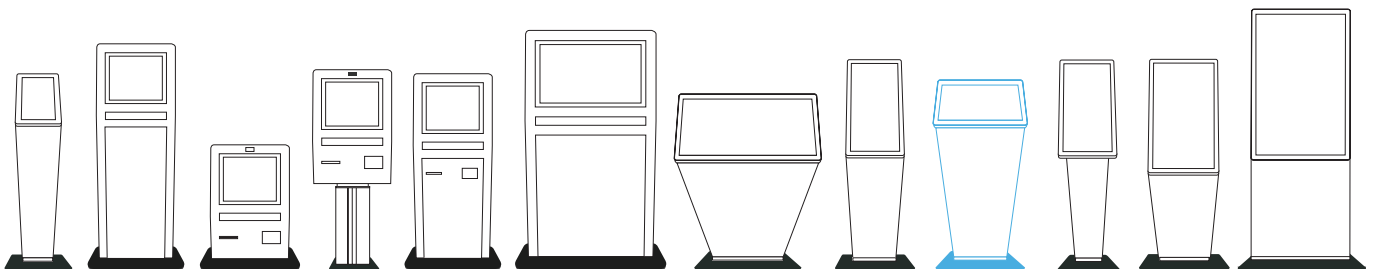


## Kiosk Options

- Custom logo & branding
- Magnetic card reader
- RFID reader
- Choice of powder coating in over 120 colours

## Technical Specifications

- 1920 x 1080 HD resolution
- 21.5" active viewable area
- 1,000:1 contrast ratio
- 5ms response time
- 50,000 long-life MTBF
- 10-point multi-touch (PCAP)
- USB touch interface
- Powder-coated steel body
- Toughened glass touch surface
- Secure lockable access door
- Built-in stereo speakers
- Compatible with Win 7, 8.1 & 10
- PC sold separately



Our interactive kiosks are available in sizes from 19"- 42" to suit any application and available installation space.

## InTouch Screens

Unit 1, 3 Green Street, Brookvale NSW 2100

1300 557 219

[InTouchScreens.com.au](http://InTouchScreens.com.au) | [Sales@intouchscreens.com.au](mailto:Sales@intouchscreens.com.au)

# INTOUCH