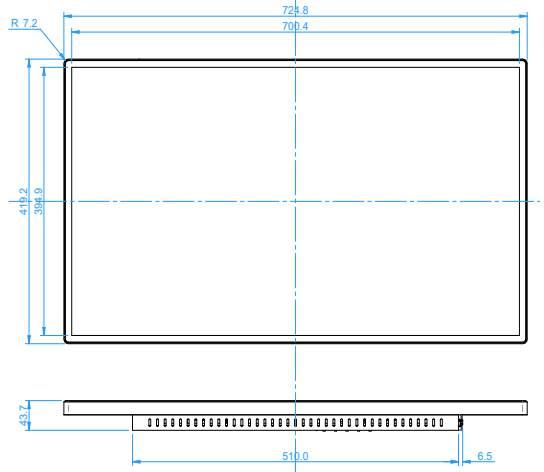


INTS320 USER MANUAL

INTOUCH

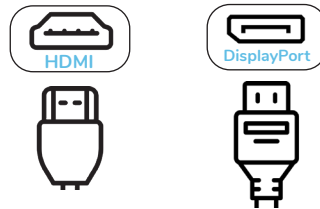
INTS320 SPECIFICATIONS

- 1 Touch Screen INTS320**
- 31.5" active viewable area
 - 10-point PCAP multi-touch
 - 1920 x 1080 Native Resolution
 - Built-in stereo speakers



CABLING INFORMATION

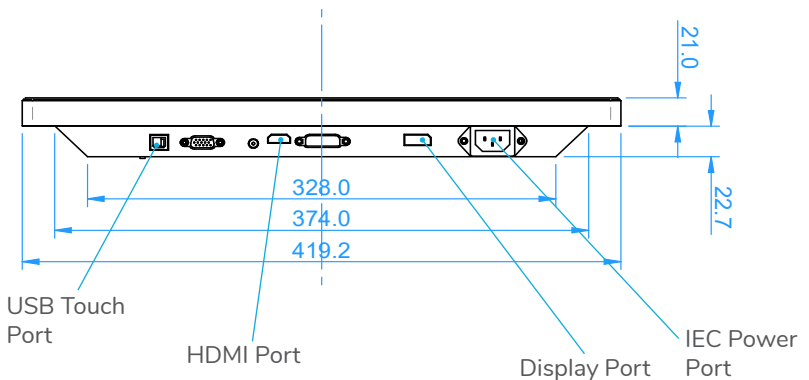
Step 1. Connect your desired display cable. (HDMI Recommended)



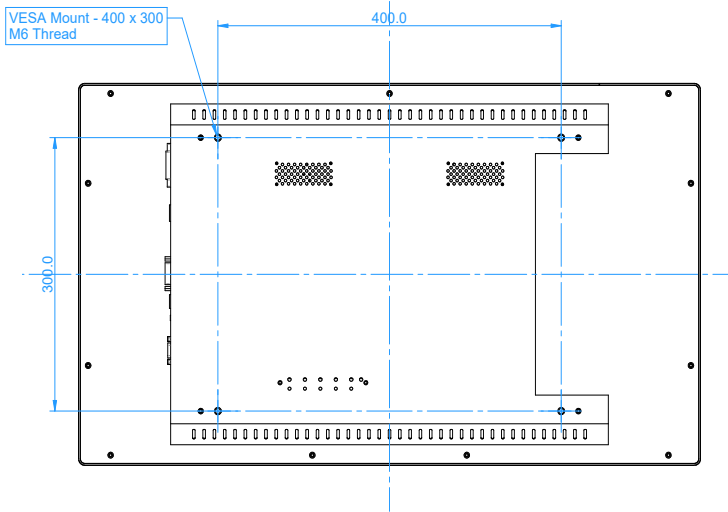
Step 2. Connect USB touch cable



Step 3. Connect IEC power cable



INTS320 - MOUNTING DIMENSIONS



CLEANING INSTRUCTIONS

Applicable to touch screens and kiosks:

InTouch suggests using an isopropyl alcohol spray and clean microfibre cloth.

Caution: Be careful when cleaning your kiosk to avoid vinylated graphic areas so as not to damage the artwork. **DO NOT** use abrasive cleaners, solvents or cloths.

For more information please visit www.intouchscreens.com.au/cleaning

WARRANTY

For more information please visit www.intouchscreens.com.au/warranty

FOR MORE INFORMATION

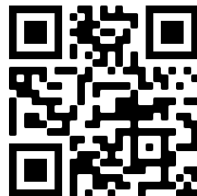
Telephone 02 9939 6251

support@intouchscreens.com.au

sales@intouchscreens.com.au

www.intouchscreens.com.au

Visit our Website



INTOUCH