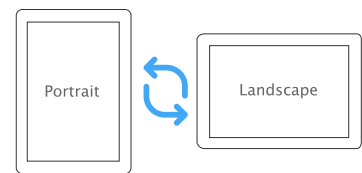


DATA SHEET

INSS RANGE

STAINLESS STEEL TOUCH SCREEN



The InTouch stainless steel touch screen monitor range has been built to work in harsh industrial environments including industrial kitchens, hospitals, the mining industry, warehouses, factories and more. Available in 10", 15.6" and 21.5" sizes.

Industrial Features built to last

COMMERCIAL GRADE

All components are commercial grade made for long lasting performance under constant usage. The sleek flat panel screen design prevents the accumulation of dust and moisture around the screen and makes cleaning effortless. The VESA compliant rear mounting makes it ideal for wall mounting, panel mounting and machine mounting or it can also be free standing on our optional stainless-steel desktop stand.

DESIGN FEATURES

- Balanced edge-to-display distance for perfect appearance in portrait or landscape orientation
- Fast and reliable touch performance using the latest 10-point PCAP multi-touch technology
- Compatible with Windows multi-touch gestures including pinch, pan and zoom
- Plug and play HID controller with no drivers required for Windows 10

- Some support for macOS 10, Brightsign, Chromebox, AMX TPI-PRO, N2300, some Linux kernels and various media players
- Touch with a finger, stylus and most gloves. No touch point drift. Extremely responsive touch and fine touch point accuracy for excellent user experience

INDUSTRIAL FEATURES

- Rugged stainless-steel chassis with a smart, clean appearance
- Flush front panel for easy cleaning and care, avoiding intrusion of moisture, dust, oil, grease and other contamination
- Manufactured specifically as a touch screen with toughened glass and commercial grade components for long lasting performance under constant 24/7 usage
- Extremely responsive touch and fine touch point accuracy for excellent user experience



LOCALLY SUPPORTED



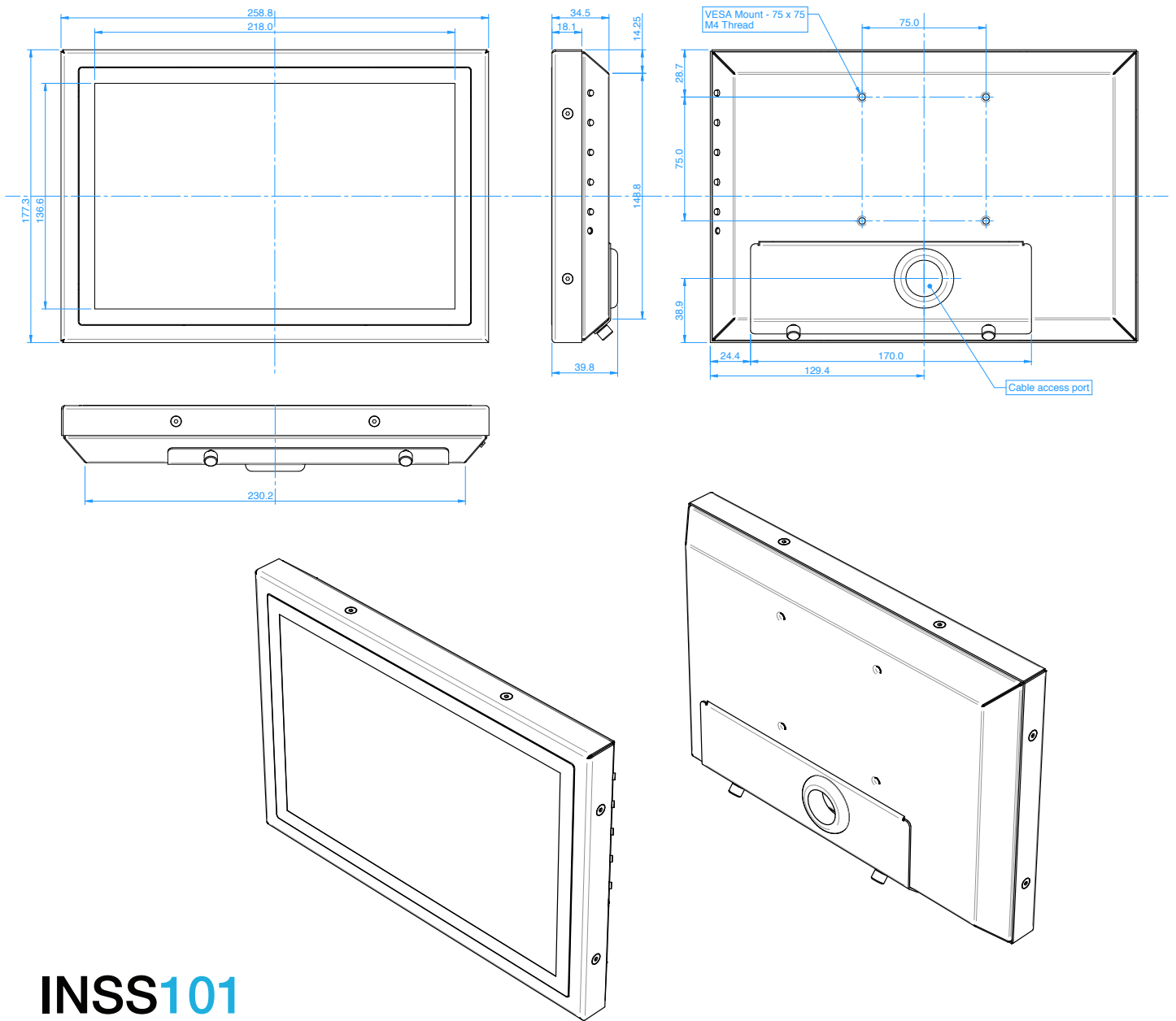
3-YEAR WARRANTY



10 POINT MULTI-TOUCH



EASY SET UP



INSS101

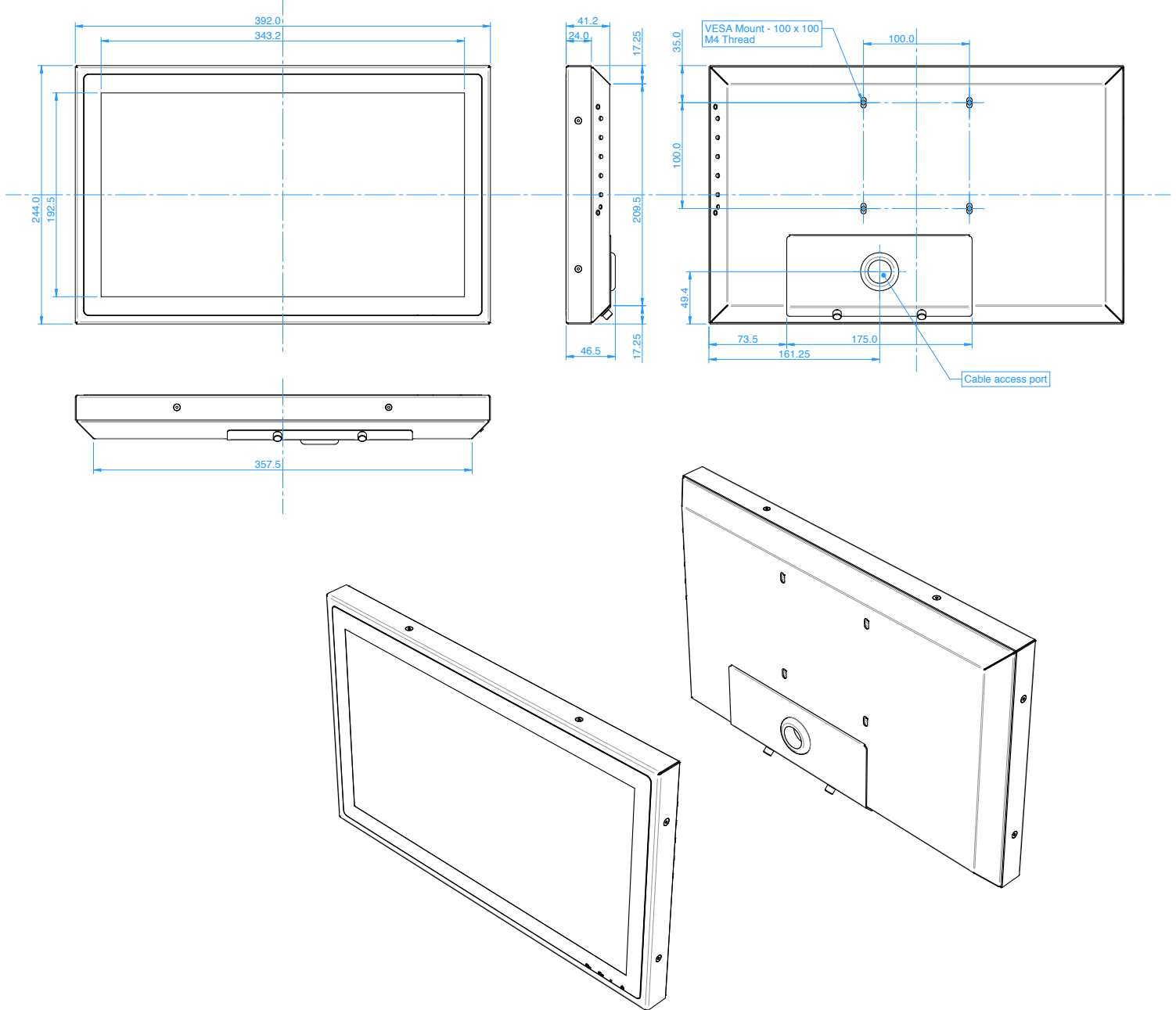
10" TOUCH SCREEN

Commercial Grade

- Designed and built with commercial grade, long-life components for quality, extended 24/7 reliability and a reduced Total Cost of Ownership (TCO)
- 3 years warranty and local Australian support

INSS101 - Technical Specifications

- | | |
|--|--|
| <ul style="list-style-type: none"> • 1280 x 800 Full HD resolution • 10" active viewable area • 16:10 aspect ratio • 350cd/m2 brightness • 800:1 contrast ratio • 10-point PCAP multi-touch • VGA & HDMI input • USB touch interface | <ul style="list-style-type: none"> • 75 x 75mm VESA holes on rear • Optional wall mount • Portrait or Landscape orientation • Energy efficient LED technology • 15W on <2W standby • 1.4kg weight • Compatible with Windows 10 |
|--|--|

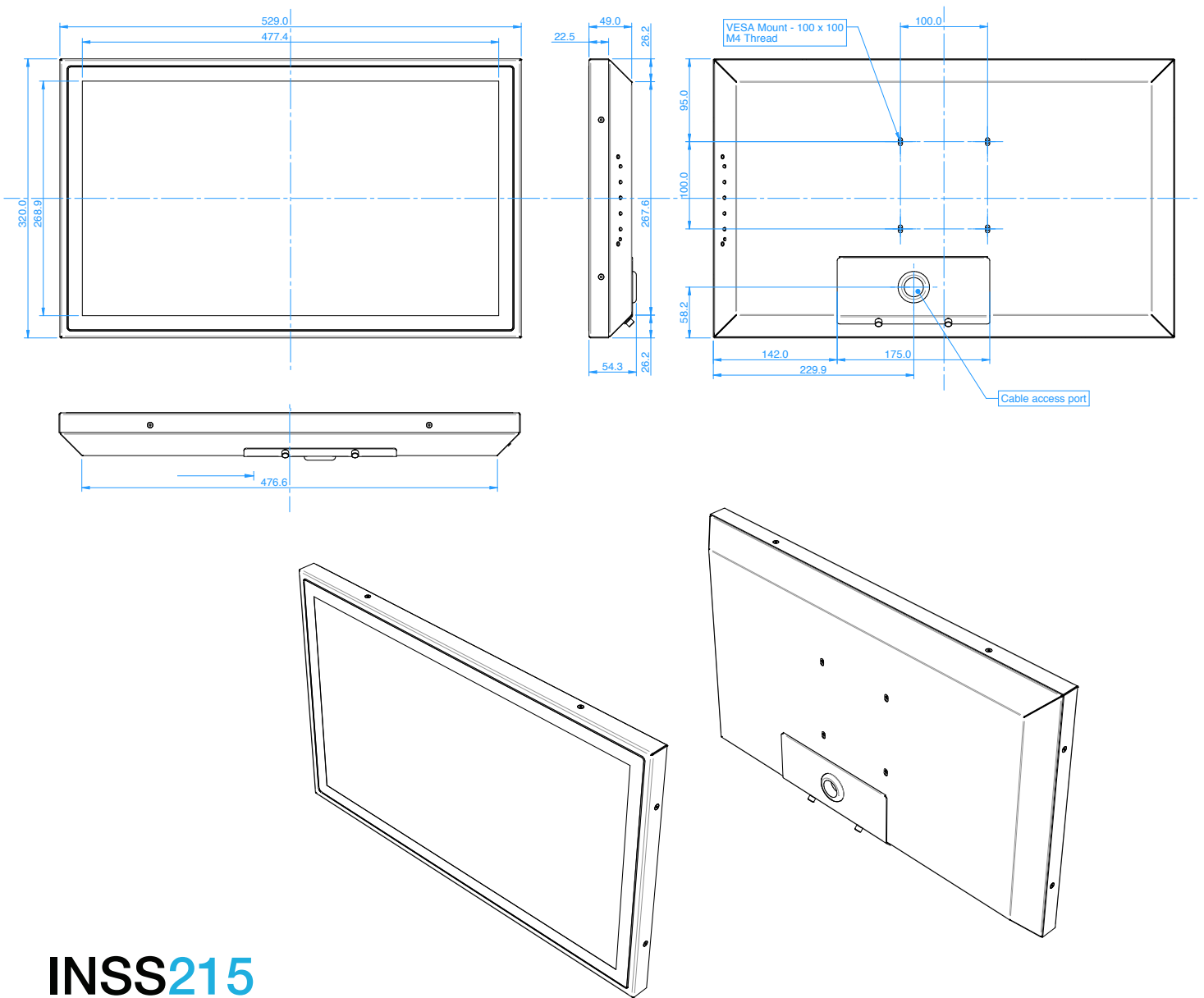


INSS156

15.6" TOUCH SCREEN

INSS156 - Technical Specifications

- 1920 x 1080 Full HD resolution
- 15" active viewable area
- 16:9 aspect ratio
- 300cd/m2 brightness
- 800:1 contrast ratio
- 10-point PCAP multi-touch
- VGA, DVI & HDMI input
- USB touch interface
- 100 x 100mm VESA holes on rear
- Optional wall mount
- Portrait or Landscape orientation
- Energy efficient LED technology
- 15W on <2W standby
- 3.8kg weight
- Compatible with Windows 10

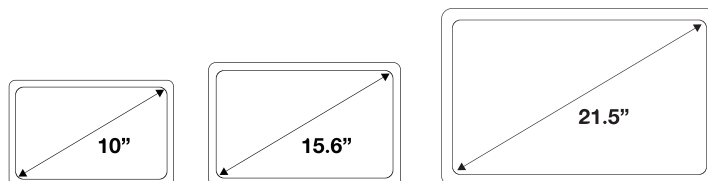


INSS215

21.5" TOUCH SCREEN

INSS215 - Technical Specifications

- 1920 x 1080 Full HD resolution
- 21" active viewable area
- 16:9 aspect ratio
- 250cd/m2 brightness
- 1,000:1 contrast ratio
- 10-point PCAP multi-touch
- VGA, DVI & HDMI input
- USB touch interface
- 100 x 100mm VESA holes on rear
- Optional wall mount
- Portrait or Landscape orientation
- Energy efficient LED technology
- 23W on <2W standby
- 7.4kg weight
- Compatible with Windows 10



Our interactive touch screens are available in sizes from 10"- 21" to suit any application and available installation space.

InTouch Screens

Unit 1, 3 Green Street, Brookvale NSW 2100

1300 557 219

InTouchScreens.com.au | Sales@intouchscreens.com.au

INTOUCH