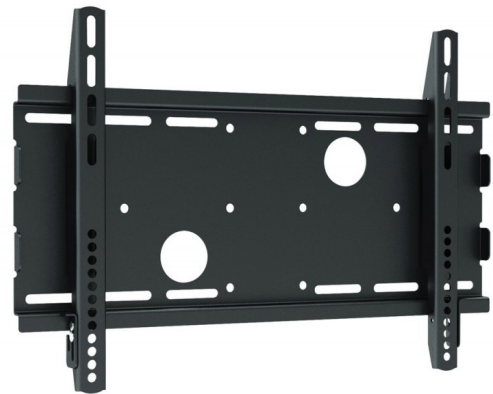


DATA SHEET

INWMPL32

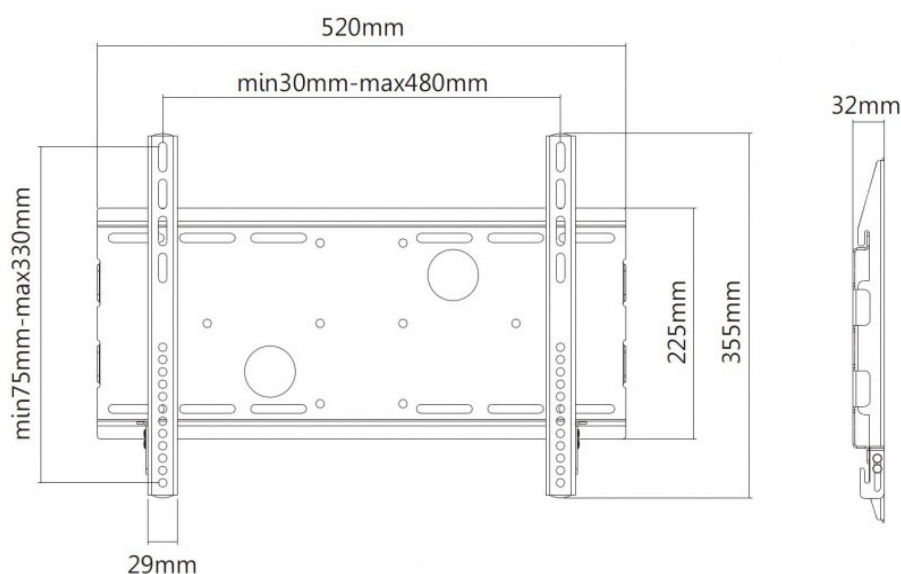
32" Touch Screen Wall Mount

This neat universal fixed flat wall mount is perfect for our INTS320 slim bezel 32" touch screen. Easy to use and install this wall mount features a solid construction and is strength tested for a maximum load capacity of 75kg. Compatible with VESA holes up to 400x300. Flush mount it to your wall and experience a low 32mm profile, keeping your touch screen looking sleek.



FEATURES

- Model Name: IN-WM-PL-32
- Supported Screen Size: 32"
- Supported Models: INTS320
- Supports Weight: Maximum 75kg
- VESA Hole Pattern: 400 x 300 max
- Mount sits 32mm from the wall
- Colour: Black



Contact

P: 1300 557 219

W: InTouchScreens.com.au

E: Sales@intouchscreens.com.au

In Touch Screens
Unit 1, 3 Green Street
Brookvale NSW 2100
Australia

