

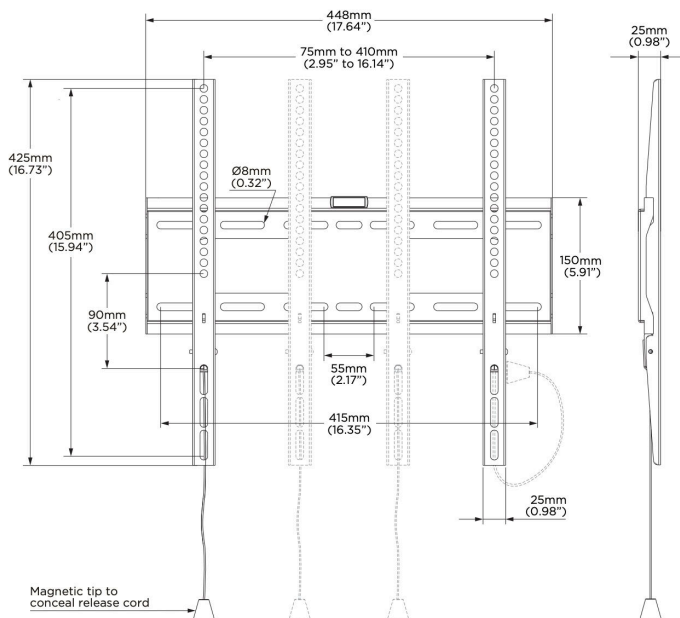
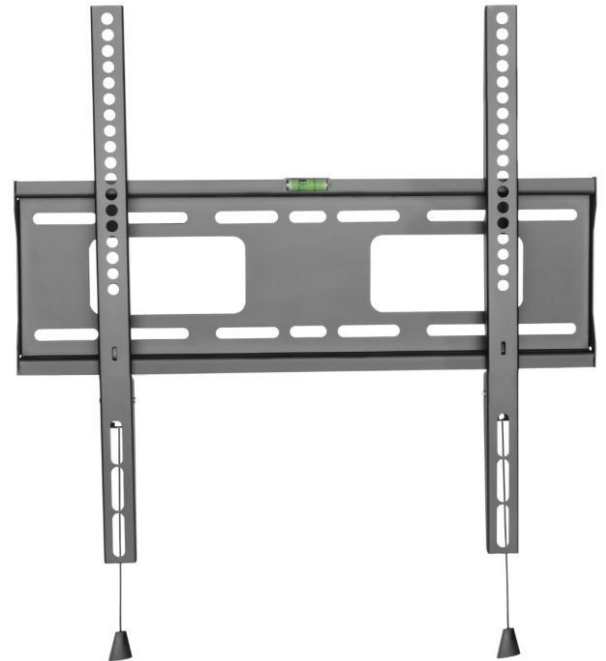
DATA SHEET

INWM32-55-LAN

Fixed 32" - 55" Landscape Touch Screen Wall Mount

The INWM3255LAN is a wall mount solution for touch screens sized 32" - 55". Ideal for mounting your touch screen close to the wall. The slim profiles provide a sleek finish with high quality components to ensure your touch screen is safely mounted to the wall.

Universal VESA support ensures compatibility with a large number of displays. A mounting plate affixes directly to the wall while brackets attached to the display using screws included in the pack. After cabling the display simply lift and click into place. The wall plate has a level to help you get the mount perfectly horizontal. The brackets allow for adjusting the level after you have mounted touch screen just in case you get it wrong the first time. A latching system on the brackets incorporates sash pulls to easily release the display.



FEATURES

- Screen Size: 32" - 55"
- Supports Weight: Maximum 50kg
- Vesa Compliant: 100x100 - 600x600
- Maximum Hole Pattern: Mounting patterns from 100x46mm to 600x420mm
- Profile: Low profile mount sits 25mm (1inch) from the wall

Contact

P: 1300 557 219
 W: InTouchScreens.com.au
 E: Sales@intouchscreens.com.au

In Touch Screens
 Unit 1, 3 Green Street
 Brookvale NSW 2100
 Australia

