

DATA SHEET

KIO320L SLIM KIOSK

Introducing our next generation in industrial kiosks. Our clever design of our 32" landscape kiosk will draw your customers in with it's incredible form factor. New to our extensive range of kiosks, the KIO320L-SLIM is perfect for so many applications including wayfinding, endless aisle, 3D configurators and much more.

The visually appealing slimline design with soft corners, trendy tapers and edge-to-edge glass make it suitable for showrooms, retail stores and other environments requiring an elegant solution. The solid steel construction, commercial components and toughened glass make it also suitable for harsher, high-traffic environments or other locations that require a rugged solution.

The ergonomic screen height and angle have been expertly designed so that the kiosk can be comfortably interacted with by anyone, from a standing or seated position.

KIOSK FEATURES

- Australian designed, manufactured & supported
- Robust steel construction, durable powder-coated finish
- Free-standing design with option to bolt down base plate
- Power & data feed from wall or floor through the base plate
- Cooled with a multi-speed fan and louvers
- Key lockable access door, tamper resistant design
- Internal PC shelf (PC sold separately or supply your own)
- 3 year RTB warranty included



DISPLAY FEATURES

- 32" commercial-grade touch screen
- 10-point PCAP multi-touch technology
- Full HD 1920 x 1080 (16:9 widescreen) resolution
- High clarity display with protective toughened glass
- Windows 10 compatible, driver free, plug-and-play
- Supports multi-touch gestures including pan, pinch & zoom



AUSTRALIAN MADE



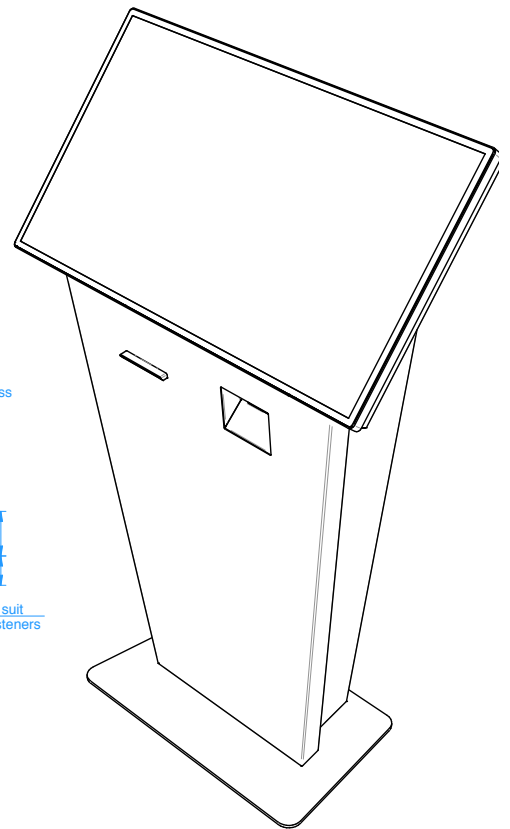
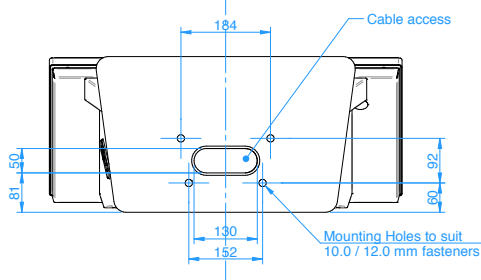
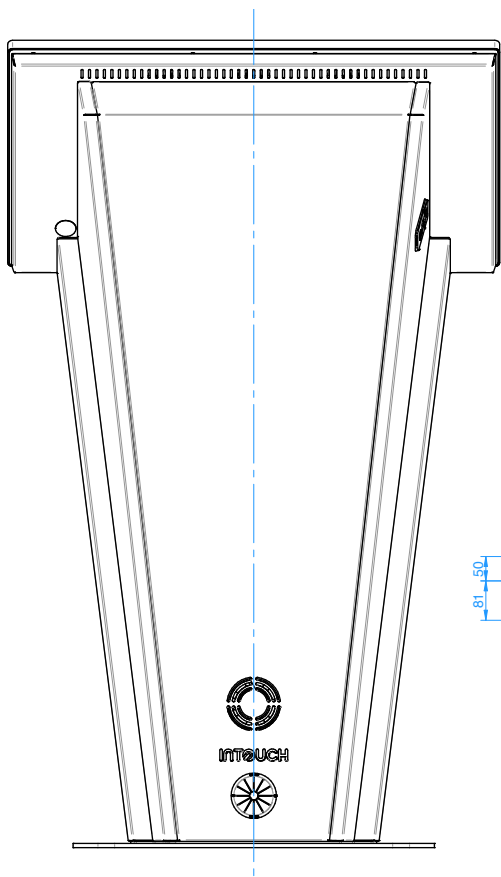
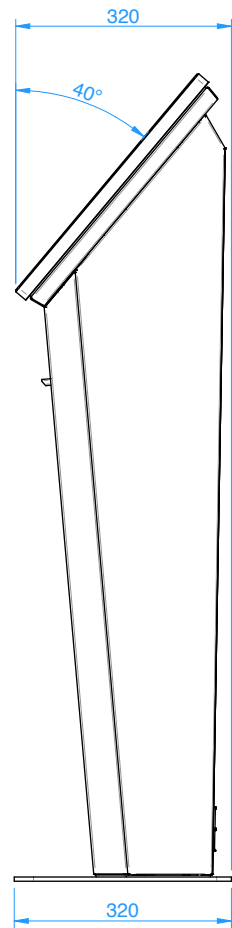
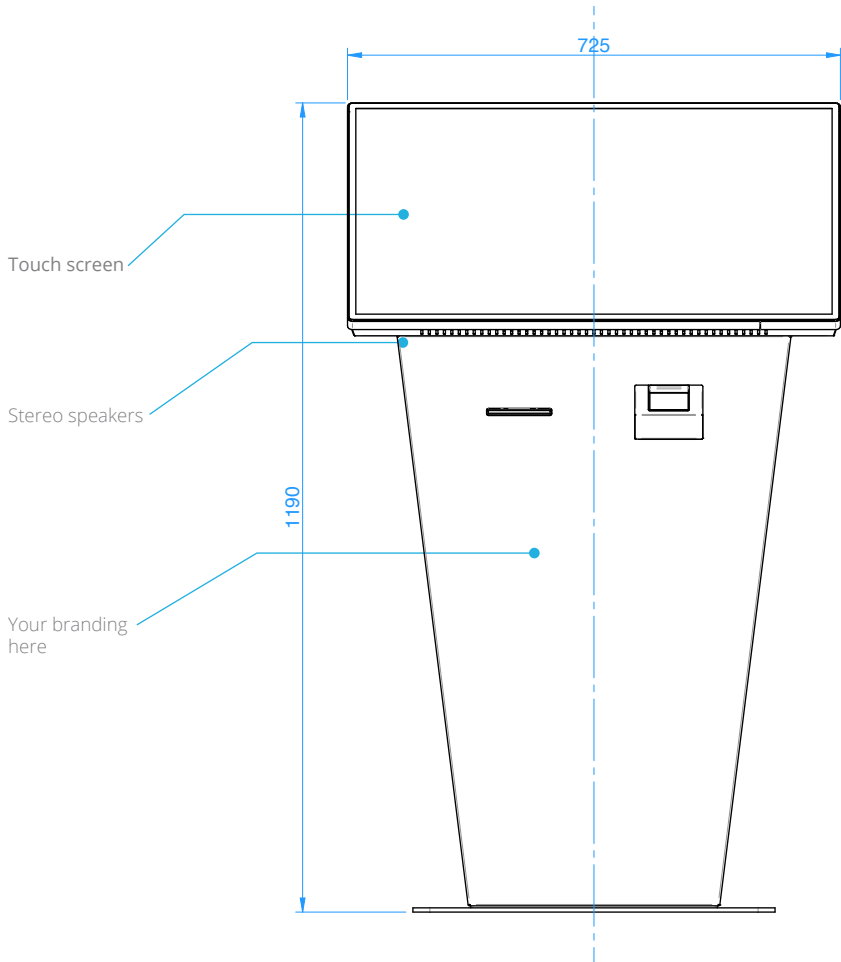
3-YEAR WARRANTY



10 POINT MULTI-TOUCH

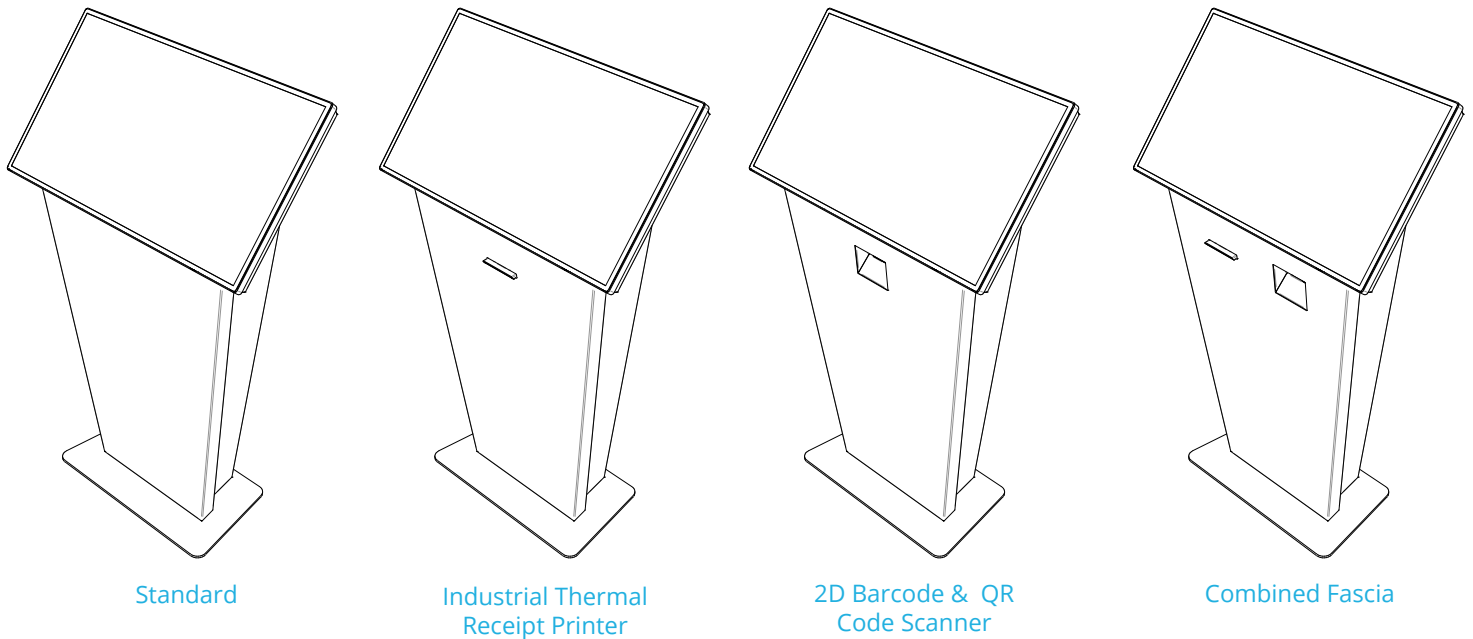


EASY SET UP



ILLUSTRATED WITH OPTIONAL PRINTER & BARCODE SCANNER

Interchangeable Front Fascia



NOTE: Each assembly uses a different front panel.
The Mounting Brackets for the Printer and Scanner are the same for each configuration

Kiosk Options

- Custom logo & branding
- Thermal receipt printer
- Built-in stereo speakers
- Magnetic card reader
- QR/Barcode scanner
- EFTPOS Payment terminal bracket
- Four front panel options: Plain, Printer only, Scanner only and Printer and Scanner openings
- Interchangeable black and white front fascias
- Overall Dimensions: 1190H x 725W x 320D

Technical Specifications

- 1920 x 1080 Full HD resolution
- 32" active viewable area
- 16:9 aspect ratio
- 430 cd/m2 brightness
- 800:1 contrast ratio
- 10-point PCAP multi-touch
- HDMI & DisplayPort input
- USB touch interface
- Energy efficient LED technology
- 48kg weight (Total kiosk weight)
- Compatible with Windows 10



Our interactive kiosks are available in sizes from 19" - 42" to suit any application and available installation space.

InTouch Screens

Unit 1, 3 Green Street, Brookvale NSW 2100

1300 557 219

InTouchScreens.com.au | Sales@intouchscreens.com.au

INTOUCH